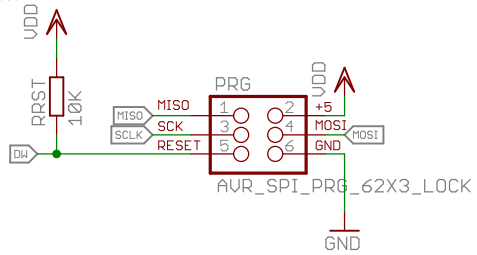
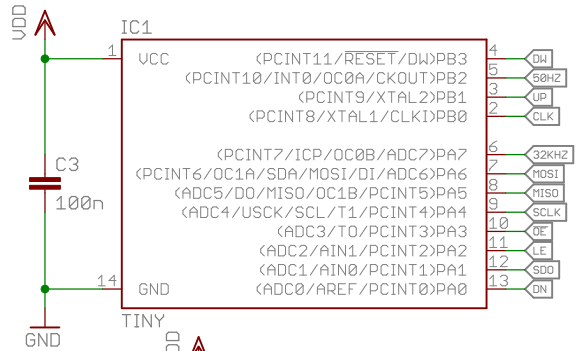
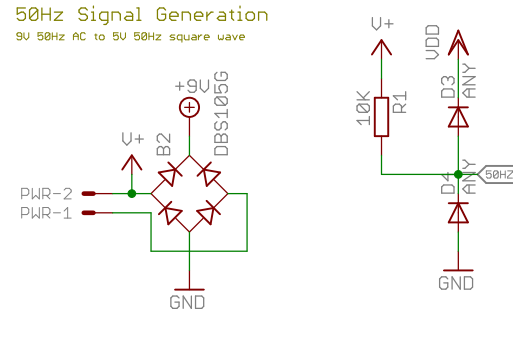


AVR TINY(2/4/8)4 Controller

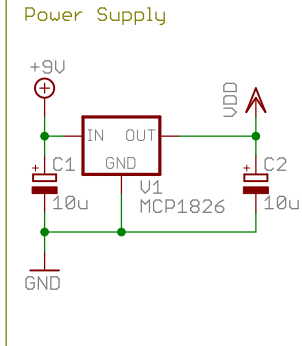


50Hz Signal Generation

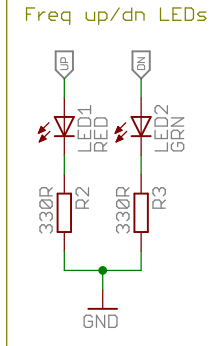
9V 50Hz AC to 5V 50Hz square wave



Power Supply

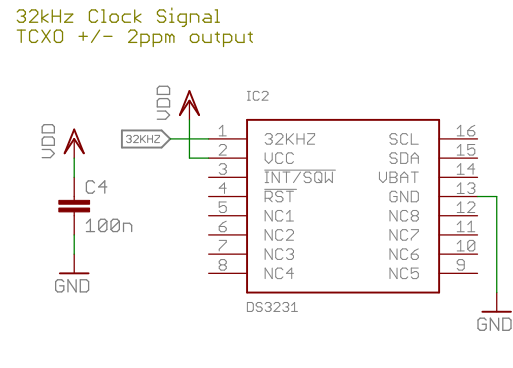


Freq up/dn LEDs



32kHz Clock Signal

TCX0 +/- 2ppm output



Seven Segment Connector

